

Easily Convert Existing Fixtures to LED with UL 1598C Classified Kits

- AC Driver-OnBoard
- 13W, 15W, & 23W Models
- Available in 3000K or 4000K
- Standard Mounting Options for Easy Install
- Optical Grade Polycarbonate Lens

- Input Voltage: 120VAC, 50/60hz
- Constant Current Design
- High Power Factor >0.98
- Estimated 50,000 hrs L₇₀
- Data Per NVLAP Laboratory
- On Board Line Surge & MOV Ground Surge Protection

- TRIAC Dimmable To 5% (forward & reverse phase)
- Mounting Hardware Available
- 18" 18AWG Leads
- 5 Year Limited Warranty
- FCC compliance Class B
- Energy Star CSD



GENERAL PURPOSE - For Open Residential Fixtures with Minimal Heat

LRG6

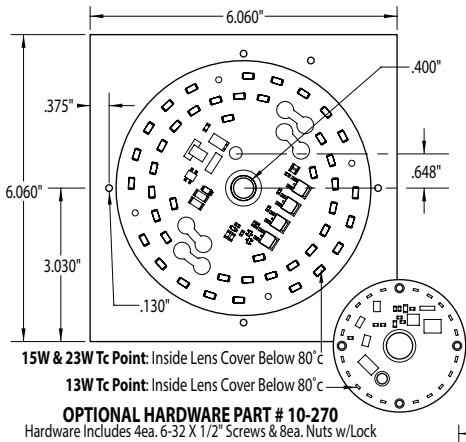


**Low Flicker
Title 24 Available**
(call for details)

LRG8

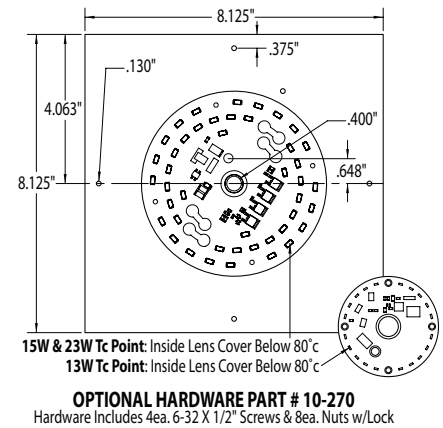


SCAN FOR VIDEO

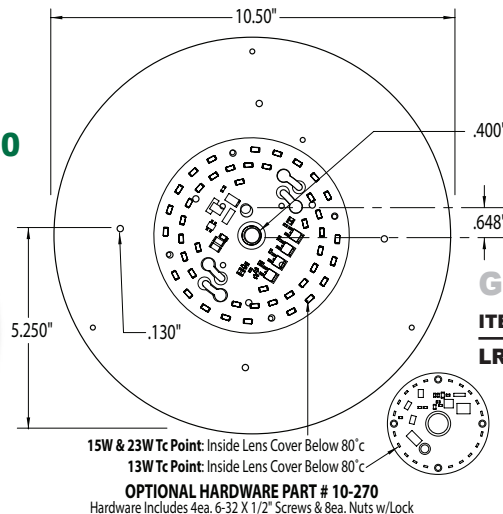


GUIDE: LRG6-LR12C

ITEM #	LIGHT SOURCE	CCT	OPTION
LRG6	120V LIGHTWAVE LED		H-Hardware
LRG8	LR12-13W 1000lm	C-4K	
	LR15-15W 1400lm	W-3K	
	LR22-23W 1900lm		



LRG10



**Low Flicker
Title 24 Available**
(call for details)

GUIDE: LRG10-LR32C

ITEM #	LIGHT SOURCE	CCT	OPTION
LRG10	120V LIGHTWAVE LED		H-Hardware
	LR12-13W 1000lm	C-4K	
	LR15-15W 1400lm	W-3K	
	LR22-23W 1900lm		
	LR32-32W 2700lm		

