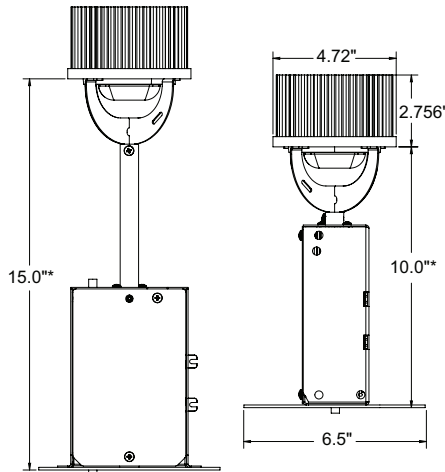


# COMMERCIAL LED RETROFIT KIT- LRC



\*Height adjustable from 15" down to 10"

Easily Convert existing post top commercial fixtures to LED with our UL 1598C Retrofit Kits. Our commercial retrofit kit replaces up to 250W Metal Halide or High Pressure Sodium. Telescopic brackets adjust from 15" to 10" with allen wrench included. Mount on existing fixture fitter with universal mounting tray.



SCAN FOR VIDEO



## SPECIFICATIONS

- Telescoping Bracket
- Universal Mounting Plate
- Replaces up to 250W Metal Halide
- For Enclosed Fixtures
- Operating Temp -40°C to +40°C
- 20" 18AWG Leads

## LIGHT SOURCE OPTION

### DEDICATED LED SYSTEM

- 120-277V, 50/60Hz
- Estimated 100,000 Hrs L<sub>70</sub>
- Surge Protection
- 3000K\*, 4000K, or 5000K\*, CCT 80 CRI
- Type 3\* & Type 5 Models Available
- 0-10V Dimming Available
- 5 Year Warranty
- UL 1598C Classified & DLC Listed

ITEM #	LIGHT SOURCE	OPTION	
<b>LRC</b>	<b>120-277V LED</b> <b>L40-40W 4000lm</b> <b>L60-60W 6000lm</b>	<b>CCT</b> <b>C-4K</b> (Standard) <b>W-3K</b> (Special Order) <b>B-5K</b> (Special Order)	<b>D-0-10V Dimming</b> <b>T3-Type III Distribution</b> (T3 is Special Order, Type V Standard)

\* Special order item. Longer lead times may apply.

REFER TO CATALOG FOR OPTION SPECIFICATIONS - Specifications subject to change without notice - FIXTURE SPEC 11/17