



PROJECT _____

TYPE _____

VOLTAGE _____

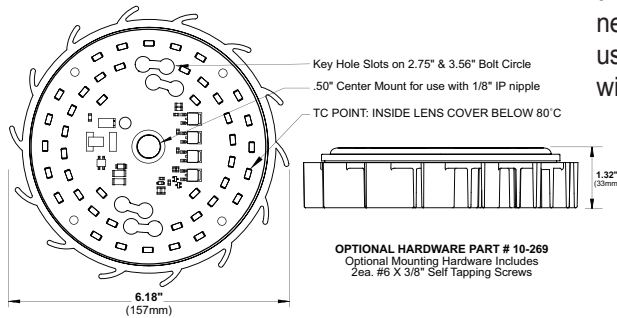
RESIDENTIAL LED RETROFIT KIT- LRH6

HIGH HEAT



Easily Convert existing fixtures to LED with UL 1598C Classified Kits. Our Retrofit kits are designed with an optical grade polycarbonate lens and a powdercoated one inch thick aluminum heat sink.

Our LRH6 Retrofit kits are approved for use in both thermal challenged existing (in-the-field) fixtures and new fixtures for factory installation. Mount options using center mount with nipple or self tapping screws with bosses on back.



**Low Flicker
 Title 24 Available**
 (call for details)



SCAN FOR VIDEO



SPECIFICATIONS

- AC Driver-On-Board
- Constant Current Design
- Optical Grade Polycarbonate Lens
- Easy Install Mounting Options
- Mounting Hardware Available
- 1" Thick Puck Style Heat Sink

LIGHT SOURCE OPTION

DEDICATED LED SYSTEM

- 120V, 50/60Hz
- Estimated 50,000 Hrs L₇₀
- On Board & MOV Ground Surge Protection
- 3000K or 4000K CCT 80 CRI
- High Power Factor >0.98
- 18" 18AWG Leads
- Triac Dimmable to 5%
- 5 Year Warranty
- UL Classified & Energy Star (CSD)

ITEM #	LIGHT SOURCE	OPTION
LRH6	120V LIGHTWAVE LED	CCT C-4K W-3K
	LR15-15W 1400lm	
	LR22-23W 1900lm	H-Hardware

* Special order item. Longer lead times may apply. Option not available in Replaceable Corn Cob model. ☆ Lamp Included

REFER TO CATALOG FOR OPTION SPECIFICATIONS - Specifications subject to change without notice - FIXTURE SPEC 11/17