



PROJECT _____

TYPE _____

VOLTAGE _____

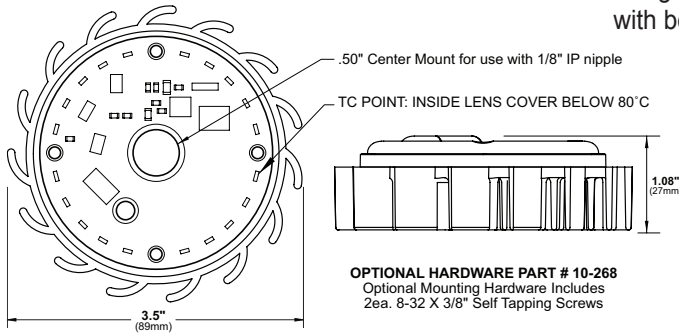
RESIDENTIAL LED RETROFIT KIT- LRH3 HIGH HEAT



Easily Convert existing fixtures to LED with UL 1598C Classified Kits. Our Retrofit kits are designed with an optical grade polycarbonate lens and a powdercoated one inch thick aluminum heat sink.

Our LRH3 Retrofit kits are approved for use in both thermal challenged existing (in-the-field) fixtures and new fixtures for factory installation. Mount options using center mount with nipple or self tapping screws with bosses on back.

**Low Flicker
Title 24 Available**
(call for details)



SCAN FOR VIDEO



SPECIFICATIONS

- AC Driver-On-Board
- Constant Current Design
- Optical Grade Polycarbonate Lens
- Easy Install Mounting Options
- Mounting Hardware Available
- 1" Thick Puck Style Heat Sink

LIGHT SOURCE OPTION

DEDICATED LED SYSTEM

- 120V, 50/60Hz
- Estimated 50,000 Hrs L₇₀
- On Board & MOV Ground Surge Protection
- 3000K or 4000K CCT 80 CRI
- High Power Factor >0.98
- 18" 18AWG Leads
- Triac Dimmable to 5%
- 5 Year Warranty
- UL Classified & Energy Star (CSD)

ITEM #	LIGHT SOURCE	OPTION	
LRH3	120V LIGHTWAVE LED LR12-12W 1000lm	CCT C-4K W-3K	H-Hardware

REFER TO CATALOG FOR OPTION SPECIFICATIONS - Specifications subject to change without notice - FIXTURE SPEC 11/17

WAVE LIGHTING • www.wavelighting.com • 877-870-9283