



PROJECT \_\_\_\_\_

TYPE \_\_\_\_\_

VOLTAGE \_\_\_\_\_

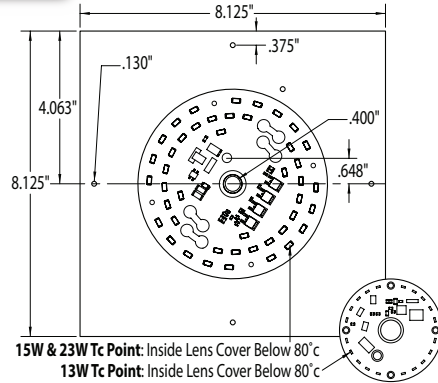
# RESIDENTIAL LED RETROFIT KIT- LRG8

## GENERAL PURPOSE



Easily Convert existing fixtures to LED with UL 1598C Classified Kits. Our Retrofit kits are designed with an optical grade polycarbonate lens and a powdercoated aluminum heat sink.

Our LRG8 Retrofit kits are approved for use in both existing (in-the-field) fixtures and new fixtures for factory installation.



15W & 23W Tc Point: Inside Lens Cover Below 80°c  
 13W Tc Point: Inside Lens Cover Below 80°c

**OPTIONAL HARDWARE PART # 10-270**

Hardware Includes 4ea. 6-32 X 1/2" Screws & 8ea. Nuts w/Lock

**Low Flicker  
 Title 24 Available**  
 (call for details)



SCAN FOR VIDEO



### SPECIFICATIONS

- AC Driver-On-Board
- Constant Current Design
- Optical Grade Polycarbonate Lens
- Easy Install Mounting Options
- Mounting Hardware Available
- Flat Aluminum Heat Sink

### LIGHT SOURCE OPTION

#### DEDICATED LED SYSTEM

- 120V, 50/60Hz
- Estimated 50,000 Hrs L<sub>70</sub>
- On Board & MOV Ground Surge Protection
- 3000K or 4000K CCT 80 CRI
- High Power Factor >0.98
- 18" 18AWG Leads
- Triac Dimmable to 5%
- 5 Year Warranty
- UL Classified & Energy Star (CSD)

ITEM #	LIGHT SOURCE	OPTION	
<b>LRG8</b>	<b>120V LIGHTWAVE LED</b>	<b>CCT</b> <b>C-4K</b> <b>W-3K</b>	<b>H-Hardware</b>
	<b>LR12-13W 1000lm</b>		
	<b>LR15-15W 1400lm</b>		
	<b>LR22-23W 1900lm</b>		

REFER TO CATALOG FOR OPTION SPECIFICATIONS - Specifications subject to change without notice - FIXTURE SPEC 11/17