



PROJECT _____

TYPE _____

VOLTAGE _____

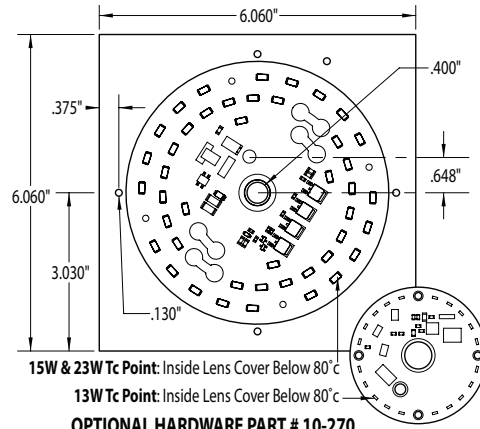
RESIDENTIAL LED RETROFIT KIT- LRG6

GENERAL PURPOSE



Easily Convert existing fixtures to LED with UL 1598C Classified Kits. Our Retrofit kits are designed with an optical grade polycarbonate lens and a powdercoated aluminum heat sink.

Our LRG6 Retrofit kits are approved for use in both existing (in-the-field) fixtures and new fixtures for factory installation.



15W & 23W Tc Point: Inside Lens Cover Below 80°C
 13W Tc Point: Inside Lens Cover Below 80°C
OPTIONAL HARDWARE PART # 10-270
 Hardware Includes 4ea. 6-32 X 1/2" Screws & 8ea. Nuts w/Lock

**Low Flicker
 Title 24 Available**
 (call for details)



SCAN FOR VIDEO



SPECIFICATIONS

- AC Driver-On-Board
- Constant Current Design
- Optical Grade Polycarbonate Lens
- Easy Install Mounting Options
- Mounting Hardware Available
- Flat Aluminum Heat Sink

LIGHT SOURCE OPTION

DEDICATED LED SYSTEM

- 120V, 50/60Hz
- Estimated 50,000 Hrs L₇₀
- On Board & MOV Ground Surge Protection
- 3000K or 4000K CCT 80 CRI
- High Power Factor >0.98
- 18" 18AWG Leads
- Triac Dimmable to 5%
- 5 Year Warranty
- UL Classified & Energy Star (CSD)

ITEM #	LIGHT SOURCE	OPTION
LRG6	120V LIGHTWAVE LED	CCT C-4K W-3K
	LR12-13W 1000lm	
	LR15-15W 1400lm	
	LR22-23W 1900lm	
		H-Hardware