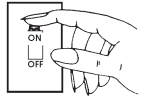


INSTALLATION INSTRUCTIONS

READ IMPORTANT SAFETY TIPS BEFORE PROCEEDING WITH INSTALLATION

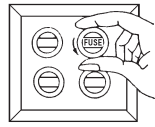
SAFETY TIPS



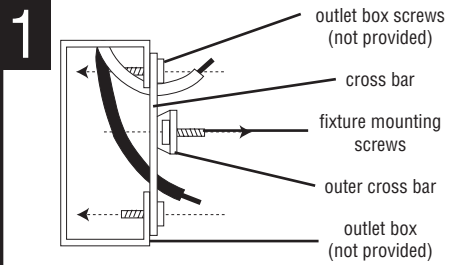
Turn fixture off! (Place wall switch in off position, if fixture has built-in switch or chain pull, switch or pull chain so fixture is off.)



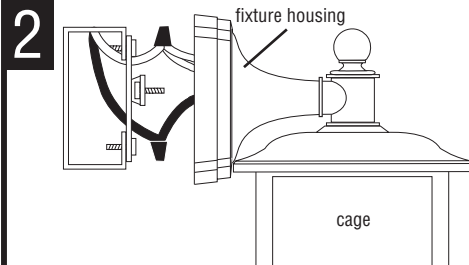
Next - go to the main fuse box. If your fuse box has an ON/OFF switch, simply place main power switch in OFF position.



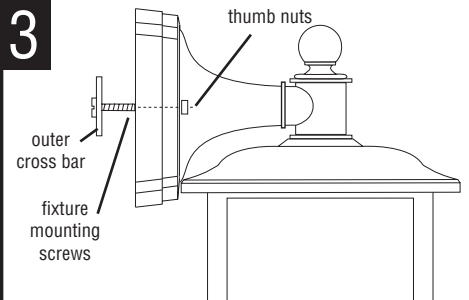
Screw-in type fuses - unscrew the fuse or fuses that control the power to the fixture or room you are working in.



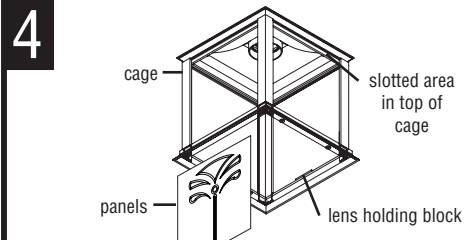
1 THREAD fixture mounting screws (provided) into outer cross bar. ATTACH cross bar to outlet box with outlet box screws (not provided).



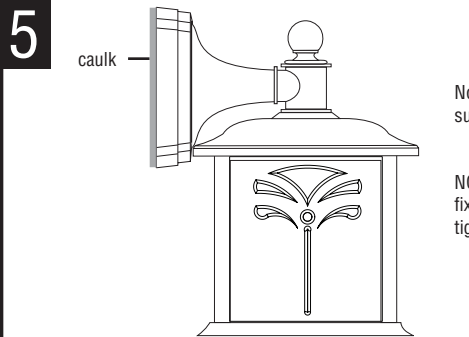
2 CONNECT THE WIRES. NOTE: Attach black fixture wire to black supply wire, white fixture wires to white supply wire. Do not mix them up. Use wire connectors (not provided).



3 POSITION THE FIXTURE HOUSING over the fixture mounting screws and secure in place with the thumb nuts provided.



4 INSTALL PLASTIC PANELS, by sliding panel up into cage in slots on inside of cage. Make sure panel is all the way up into slotted area in top of cage. Tilt bottom of panel towards cage legs at bottom opening of cage. Slide panel bottom into slot in foot of cage between lens holding block and cage legs.



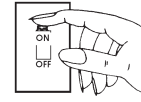
5 No lamp replacement required! Integral LED light engine supplied. Do not remove protective cover from LED light engine.

NOTE: Fixture **MUST** be caulked with an acrylic caulk where fixture housing meets mounting surface. This provides a water tight seal when fixture is installed.

INSTALLATION INSTRUCTIONS

READ IMPORTANT SAFETY TIPS BEFORE PROCEEDING WITH INSTALLATION

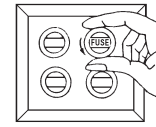
SAFETY TIPS



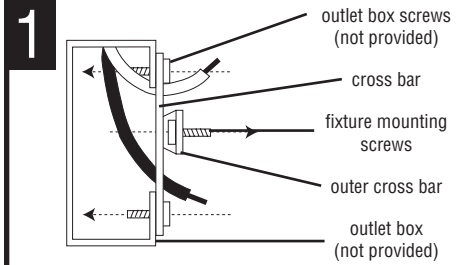
Turn fixture off! (Place wall switch in off position, if fixture has built-in switch or chain pull, switch or pull chain so fixture is off.)



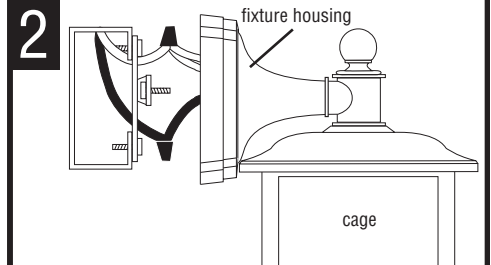
Next - go to the main fuse box. If your fuse box has an ON/OFF switch, simply place main power switch in OFF position.



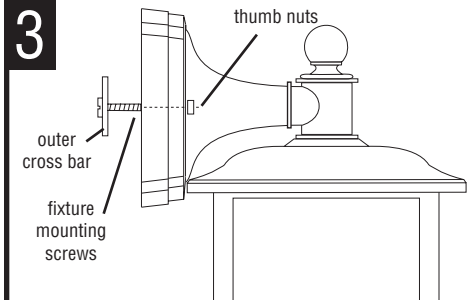
Screw-in type fuses - unscrew the fuse or fuses that control the power to the fixture or room you are working in.



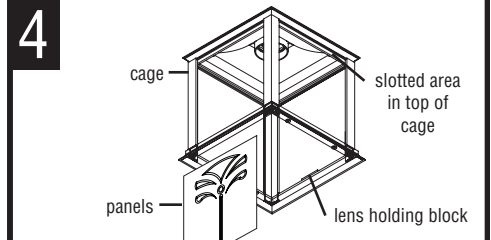
1 THREAD fixture mounting screws (provided) into outer cross bar. ATTACH cross bar to outlet box with outlet box screws (not provided).



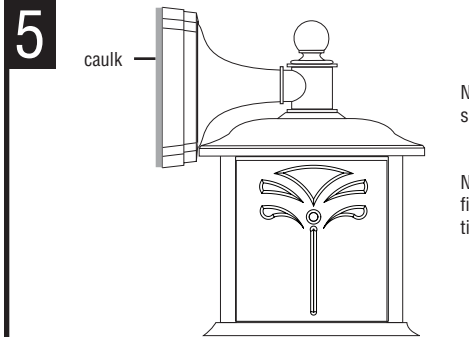
2 CONNECT THE WIRES. NOTE: Attach black fixture wire to black supply wire, white fixture wires to white supply wire. Do not mix them up. Use wire connectors (not provided).



3 POSITION THE FIXTURE HOUSING over the fixture mounting screws and secure in place with the thumb nuts provided.

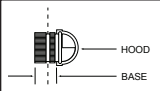


4 INSTALL PLASTIC PANELS, by sliding panel up into cage in slots on inside of cage. Make sure panel is all the way up into slotted area in top of cage. Tilt bottom of panel towards cage legs at bottom opening of cage. Slide panel bottom into slot in foot of cage between lens holding block and cage legs.



5 No lamp replacement required! Integral LED light engine supplied. Do not remove protective cover from LED light engine.

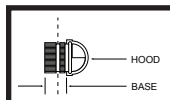
NOTE: Fixture **MUST** be caulked with an acrylic caulk where fixture housing meets mounting surface. This provides a water tight seal when fixture is installed.



This fixture may have an integral photo sensor that turns the fixture off during the day and on at night. The photo sensor is not adjustable. The fixture could possibly cycle on and off due to light reflected from nearby surfaces into the photo sensor. If cycling occurs, remove the photo sensor nut and install the swivel hood and base.

The hood and base are adjustable. The hood can be rotated and the base can be cut along the dotted line to reduce overall length. Check operation before cutting the base.

CAUTION: Do not turn on without diffuser installed. Do not touch LEDs or circuit board. LED optics could be damaged. No lamp replacement required! Integral LED light engine supplied. Do not remove protective cover from LED light engine.



This fixture may have an integral photo sensor that turns the fixture off during the day and on at night. The photo sensor is not adjustable. The fixture could possibly cycle on and off due to light reflected from nearby surfaces into the photo sensor. If cycling occurs, remove the photo sensor nut and install the swivel hood and base.

The hood and base are adjustable. The hood can be rotated and the base can be cut along the dotted line to reduce overall length. Check operation before cutting the base.

CAUTION: Do not turn on without diffuser installed. Do not touch LEDs or circuit board. LED optics could be damaged. No lamp replacement required! Integral LED light engine supplied. Do not remove protective cover from LED light engine.