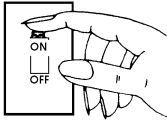


# INSTALLATION INSTRUCTIONS

READ IMPORTANT SAFETY TIPS BEFORE PROCEEDING WITH INSTALLATION

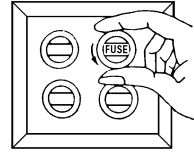
## SAFETY TIPS



Turn fixture off! (Place wall switch in off position, if fixture has built-in switch or chain pull, switch or pull chain so fixture is off.)



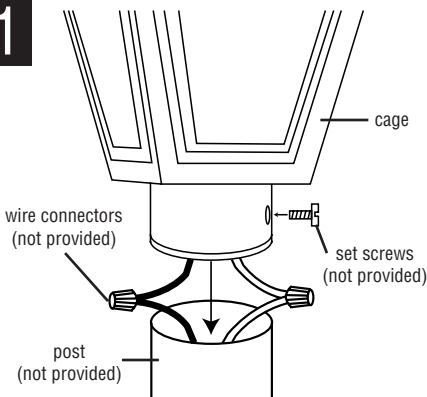
Next - go to the main fuse box. If your fuse box has an ON/OFF switch, simply place main power switch in OFF position.



Screw-in type fuses - unscrew the fuse or fuses that control the power to the fixture or room you are working in.

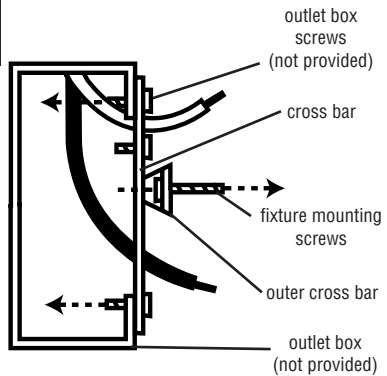
**To install post mounted fixtures, follow steps 1,5,6,7.  
To install wall mounted fixtures, follow steps 2,3,4,5,6,7,8,9.**

1



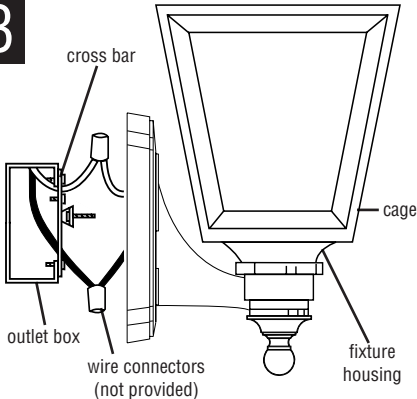
CONNECT THE WIRES. NOTE: Attach the black fixture wire to the black supply wire, the white fixture wire to the white supply wire. Do not mix them up. Use approved wire connectors (not provided).

2



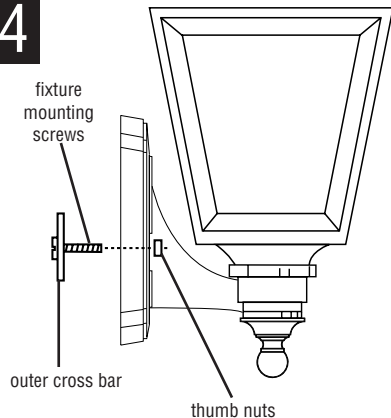
THREAD the fixture mounting screws (provided) into the outer cross bar.  
ATTACH the cross bar to the outlet box with the outlet box screws (not provided).

3



CONNECT THE WIRES. NOTE: Attach the black fixture wire to the black supply wire, the white fixture wire to the white supply wire. Do not mix them up. Use approved wire connectors (not provided).

4



POSITION THE FIXTURE HOUSING over the fixture mounting screws and secure in place with the thumb nuts provided.

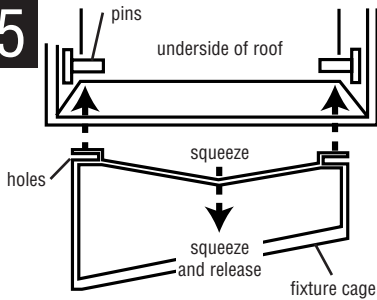
(INSTRUCTIONS CONTINUE ON BACK SIDE)

IS060GU

# INSTALLATION INSTRUCTIONS

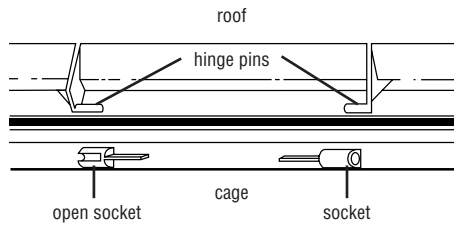
(CONTINUED FROM OTHER SIDE)

5



**TYPE A**

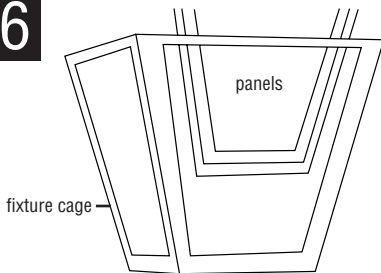
ATTACH THE FIXTURE ROOF TO FIXTURE CAGE. Squeeze cage as shown. Position holes on side of cage over corresponding pins on underside of roof. Release cage - pins will snap into position.



**TYPE B**

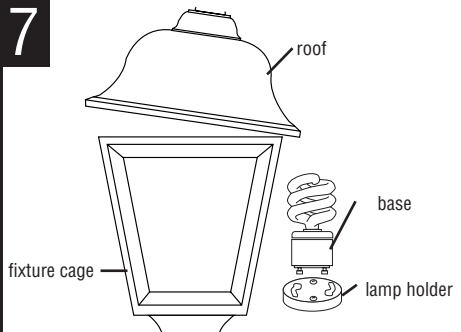
ATTACH THE FIXTURE ROOF TO FIXTURE CAGE. Slip one hinge pin on roof into hole in socket on cage and snap other hinge pin into open socket.

6



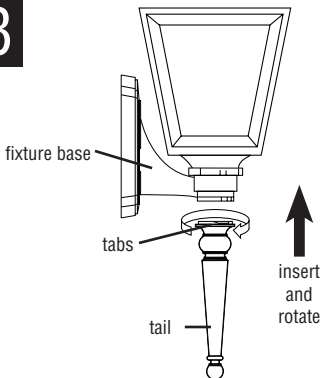
BEFORE SNAPPING HOUSING SHUT, install plastic panels, textured or beveled side out, by sliding panels down cage in slots on inside of cage. Make sure panels are all the way down into seats in cage. Some panels may fit tighter than others and a moderate amount of force may be required to install.

7



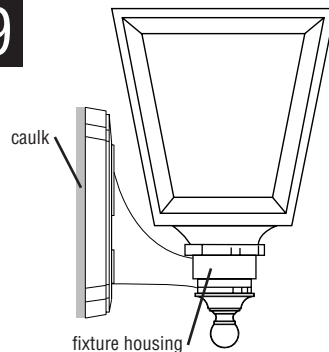
INSTALL integrated lamp/ballast (SBCFL). Grasp the plastic base. Insert pins into socket and rotate clockwise until secure. Be sure to use SBCFL with wattage no greater than specified for this fixture. Lower roof and snap into place.

8



Align two tabs on tail with two notches on base. Insert tail into base and rotate tail clockwise 90 degrees.

9



NOTE: Fixture MUST be caulked with an acrylic caulk where fixture housing meets mounting surface. This provides a water tight seal when fixture is installed.



CLEAN ONLY WITH MILD SOAP AND WATER. AVOID SPRAYING WITH CLEANSERS, INSECTICIDES, AND PESTICIDES THAT ARE PETROLEUM BASED HYDROCARBON PRODUCTS. THESE WILL DEGRADE LUMINAIRE.