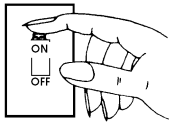


INSTALLATION INSTRUCTIONS

READ IMPORTANT SAFETY TIPS BEFORE PROCEEDING WITH INSTALLATION

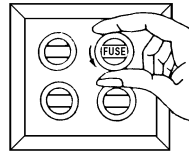
SAFETY TIPS



Turn fixture off! (Place wall switch in off position, if fixture has built-in switch or chain pull, switch or pull chain so fixture is off.)

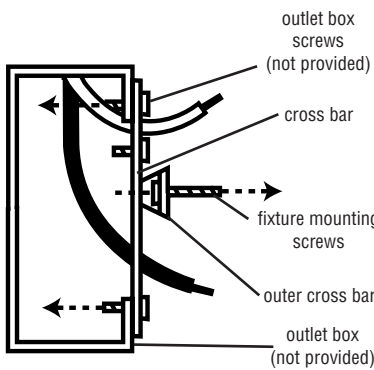


Next - go to the main fuse box. If your fuse box has an ON/OFF switch, simply place main power switch in OFF position.



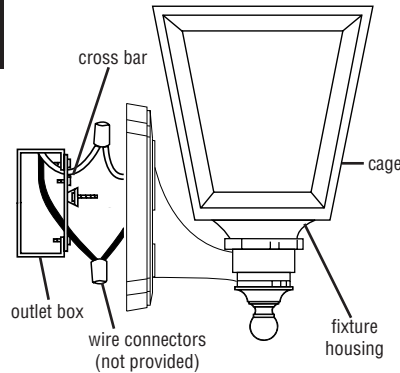
Screw-in type fuses - unscrew the fuse or fuses that control the power to the fixture or room you are working in.

1



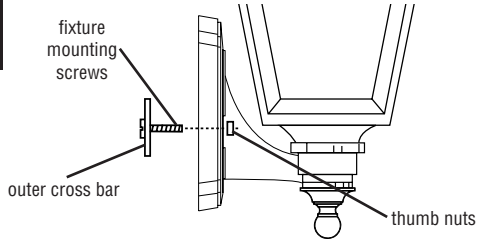
THREAD the fixture mounting screws (provided) into the outer cross bar.
ATTACH the cross bar to the outlet box with the outlet box screws (not provided).

2



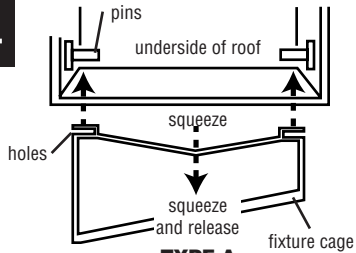
CONNECT THE WIRES. NOTE: Attach the black fixture wire to the black supply wire, the white fixture wire to the white supply wire. Do not mix them up. Use approved wire connectors (not provided).

3

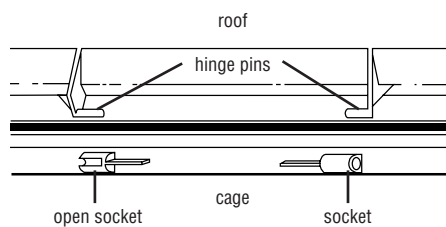


POSITION THE FIXTURE HOUSING over the fixture mounting screws and secure in place with the thumb nuts provided.

4



ATTACH THE FIXTURE ROOF TO FIXTURE CAGE. Squeeze cage as shown. Position holes on side of cage over corresponding pins on underside of roof. Release cage - pins will snap into position.



ATTACH THE FIXTURE ROOF TO FIXTURE CAGE. Slip one hinge pin on roof into hole in socket on cage and snap other hinge pin into open socket.

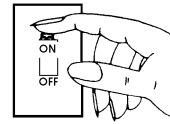
(INSTRUCTIONS CONTINUE ON BACK SIDE)

1270SGUES

INSTALLATION INSTRUCTIONS

READ IMPORTANT SAFETY TIPS BEFORE PROCEEDING WITH INSTALLATION

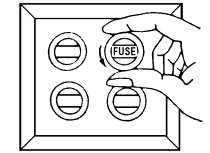
SAFETY TIPS



Turn fixture off! (Place wall switch in off position, if fixture has built-in switch or chain pull, switch or pull chain so fixture is off.)

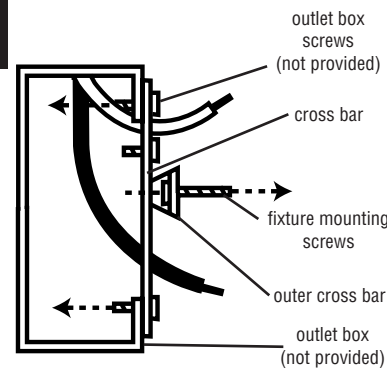


Next - go to the main fuse box. If your fuse box has an ON/OFF switch, simply place main power switch in OFF position.



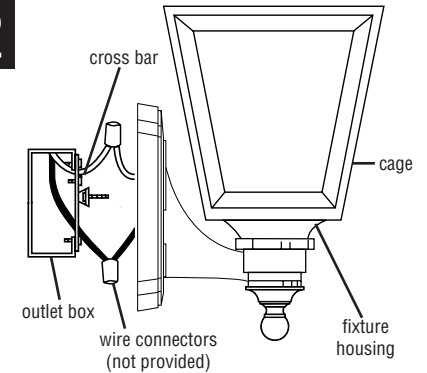
Screw-in type fuses - unscrew the fuse or fuses that control the power to the fixture or room you are working in.

1



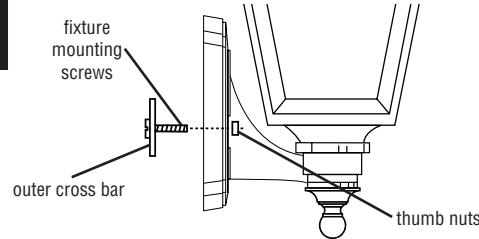
THREAD the fixture mounting screws (provided) into the outer cross bar.
ATTACH the cross bar to the outlet box with the outlet box screws (not provided).

2



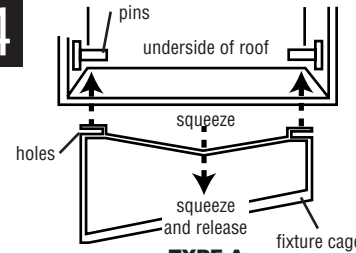
CONNECT THE WIRES. NOTE: Attach the black fixture wire to the black supply wire, the white fixture wire to the white supply wire. Do not mix them up. Use approved wire connectors (not provided).

3

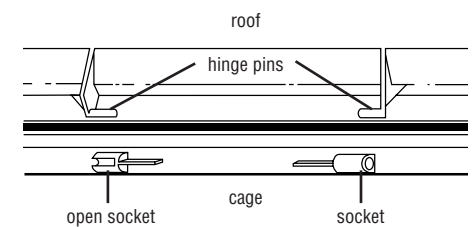


POSITION THE FIXTURE HOUSING over the fixture mounting screws and secure in place with the thumb nuts provided.

4



ATTACH THE FIXTURE ROOF TO FIXTURE CAGE. Squeeze cage as shown. Position holes on side of cage over corresponding pins on underside of roof. Release cage - pins will snap into position.

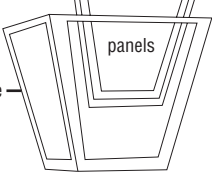


ATTACH THE FIXTURE ROOF TO FIXTURE CAGE. Slip one hinge pin on roof into hole in socket on cage and snap other hinge pin into open socket.

(INSTRUCTIONS CONTINUE ON BACK SIDE)

1270SGUES

5

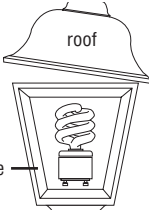


fixture cage

panels

BEFORE SNAPPING HOUSING SHUT, install plastic panels, textured or beveled side out, by sliding panels down slots on inside of cage. Make sure panels are all the way down into seats in cage. Some panels may fit tighter than others and a moderate amount of force may be required to install.

6



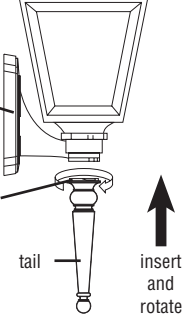
roof

fixture cage

Install GU24 base integrated lamp/ballast (SBCFL). Grasp the plastic base, insert pins into the socket and rotate lamp clockwise until secure. Use lamp with wattage no greater than specified for this fixture.

Slide glass chimney (if provided) over bulb and position into molded ring in bottom of cage. Lower roof & snap into place.

7



fixture base

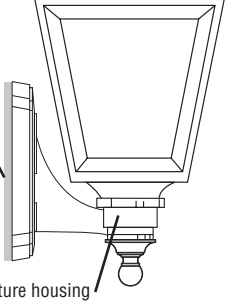
tabs

tail

insert and rotate

Align two tabs on tail with two notches on base. Insert tail into base and rotate tail clockwise 90 degrees.

8



caulk


fixture housing

NOTE: Fixture MUST be caulked with an acrylic caulk where fixture housing meets mounting surface. This provides a water tight seal when fixture is installed.

BALLAST REPLACEMENT INSTRUCTIONS

Product contains an integrated Lamp/Ballast combination. To remove, grasp plastic area on each side of bulb area and rotate counterclockwise. Replace with MAX 27W SBCFL(GU-24) that is marked with the UL and C, US Logo. Use SBCFL marked - Not for use where directly exposed to water. Do not use SBCFL marked - Not for use in totally enclosed luminaire. Use MAX 27W SBCFL with 2700k color designation and with a minimum life of 10,000 or more hours.

This fixture may have an integral photo sensor that turns the fixture off during the day and on at night. The photo sensor is not adjustable. The fixture could possibly cycle on and off due to light reflected from nearby surfaces into the photo sensor. If cycling occurs, remove the photo sensor nut and install the swivel hood and base.




HOOD

BASE

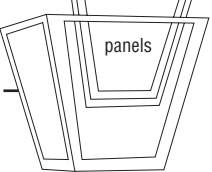
The hood and base are adjustable. The hood can be rotated and the base can be cut along the dotted line to reduce overall length. Check operation before cutting the base.

COLD WEATHER STARTING INFORMATION: For temperatures below 0°F, leave the lamp on continuously - starting with warm lamps. NOTE: If lamp starting becomes a problem in any cold weather application, remove the lamp from the fixture - bring the lamp indoors so that it becomes warm - then reinstall the lamp into the fixture and leave the fixture on continuously. Do not place lamp in an oven, microwave or similar heat producing devices.

 Clean only with mild soap and water. Avoid spraying with Cleansers, Insecticides, and Pesticides that a petroleum based hydrocarbon products. These will degrade Luminaire.

I270SGUES

5

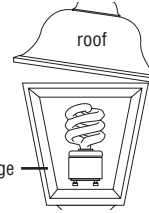


fixture cage

panels

BEFORE SNAPPING HOUSING SHUT, install plastic panels, textured or beveled side out, by sliding panels down slots on inside of cage. Make sure panels are all the way down into seats in cage. Some panels may fit tighter than others and a moderate amount of force may be required to install.

6



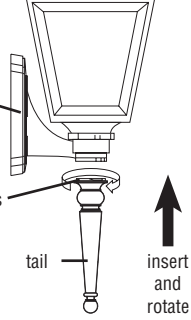
roof

fixture cage

Install GU24 base integrated lamp/ballast (SBCFL). Grasp the plastic base, insert pins into the socket and rotate lamp clockwise until secure. Use lamp with wattage no greater than specified for this fixture.

Slide glass chimney (if provided) over bulb and position into molded ring in bottom of cage. Lower roof & snap into place.

7



fixture base

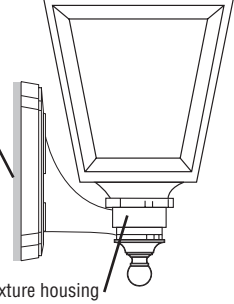
tabs

tail

insert and rotate

Align two tabs on tail with two notches on base. Insert tail into base and rotate tail clockwise 90 degrees.

8



caulk

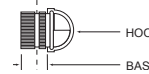
fixture housing

NOTE: Fixture MUST be caulked with an acrylic caulk where fixture housing meets mounting surface. This provides a water tight seal when fixture is installed.

BALLAST REPLACEMENT INSTRUCTIONS

Product contains an integrated Lamp/Ballast combination. To remove, grasp plastic area on each side of bulb area and rotate counterclockwise. Replace with MAX 27W SBCFL(GU-24) that is marked with the UL and C, US Logo. Use SBCFL marked - Not for use where directly exposed to water. Do not use SBCFL marked - Not for use in totally enclosed luminaire. Use MAX 27W SBCFL with 2700k color designation and with a minimum life of 10,000 or more hours.

This fixture may have an integral photo sensor that turns the fixture off during the day and on at night. The photo sensor is not adjustable. The fixture could possibly cycle on and off due to light reflected from nearby surfaces into the photo sensor. If cycling occurs, remove the photo sensor nut and install the swivel hood and base.




HOOD

BASE

The hood and base are adjustable. The hood can be rotated and the base can be cut along the dotted line to reduce overall length. Check operation before cutting the base.

COLD WEATHER STARTING INFORMATION: For temperatures below 0°F, leave the lamp on continuously - starting with warm lamps. NOTE: If lamp starting becomes a problem in any cold weather application, remove the lamp from the fixture - bring the lamp indoors so that it becomes warm - then reinstall the lamp into the fixture and leave the fixture on continuously. Do not place lamp in an oven, microwave or similar heat producing devices.

 Clean only with mild soap and water. Avoid spraying with Cleansers, Insecticides, and Pesticides that a petroleum based hydrocarbon products. These will degrade Luminaire.