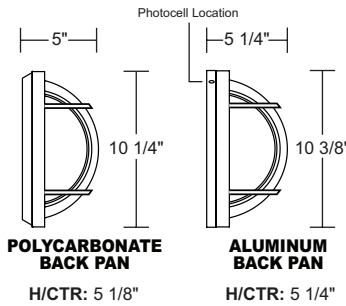
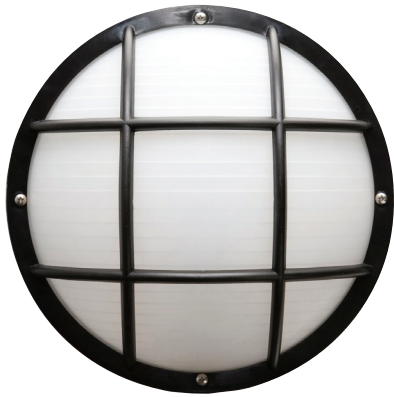


OUTDOOR WALL/CEILING FIXTURE - S772WF



NON-CORROSIVE



Wave Lighting's S772WF adds a contemporary look to any outdoor space. This fixture is available in incandescent and LED and is easily relamped by removing 4 screws (included) from base. Wave Lighting's S772WF is designed for wall or ceiling applications and mounting hardware is included. Options include photocell.

LED SOURCE OPTIONS

LED LIGHTWAVE

- 120V, 50/60 Hz
- AC Driver-On-Board Array
- Estimated 50,000 Hrs L₇₀
- Surge Supression
- Dimmable
- 3000K or 4000K CCT, 80 CRI
- 5 Year Warranty
- UL Listed & Energy Star Certified

LED MULTI-VOLT SYSTEM

- 120-277V, 50/60Hz
- Estimated 50,000 Hrs L₇₀
- 4000K CCT, 80 CRI
- 3 Year Warranty
- UL Listed & Energy Star Certified

E26 REPLACEABLE LED

- 120V, 50/60Hz
- "Screw-In" Medium Base A19/E26 LED Lamp
- Estimated 15,000 Hrs L₇₀
- Dimmable
- 3000K CCT 90CRI or 4000K** CCT, 80CRI
- 3 Year Warranty
- UL Listed, Energy Star Certified & T24 Compliant (3K only)



SPECIFICATIONS

- Black or White
- Mounting Hardware Included
- Frosted Polycarbonate Diffuser
- Wall or Ceiling Mount
- Minimum Starting Temp -20°F
- UL Listed for Wet Locations

CALL FOR PHOTOMETRIC INFORMATION

ITEM #	DIFFUSER	LIGHT SOURCE	COLOR	OPTION		
S772WF	POLYCARBONATE Frosted Ribbed	POLYCARBONATE BACK PAN - MEDIUM BASE SOCKET				
		INCANDESCENT (1) 60W MAX Medium Base		BK-Black WH-White		
		LED LIGHT SOURCE				
		E26 MEDIUM BASE LED LE26-10W 800lm ☆	CCT C-4K W-27K			
		ALUMINUM BACK PAN - DEDICATED LED			BK-Black WH-White	PC-Photocell
		LED LIGHT SOURCE				
120V LIGHTWAVE LED LR12-13W 1000lm LR15-15W 1400lm LR22-23W 1900lm	CCT C-4K W-3K					
		120-277V MULTI-VOLT LED L22-22W 1824lm	CCT 4K			

* Special order item. Longer lead times may apply. ** Not T24 Compliant. ☆ Lamp Included Energy Star Qualified Product

REFER TO CATALOG FOR OPTION SPECIFICATIONS - Specifications subject to change without notice - FIXTURE SPEC 11/17