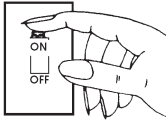


INSTALLATION INSTRUCTIONS

READ IMPORTANT SAFETY TIPS BEFORE PROCEEDING WITH INSTALLATION

SAFETY TIPS

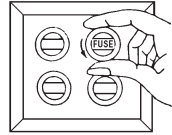


Turn fixture off! (Place wall switch in off position, if fixture has built-in switch or chain pull, switch or pull chain so fixture is off.)



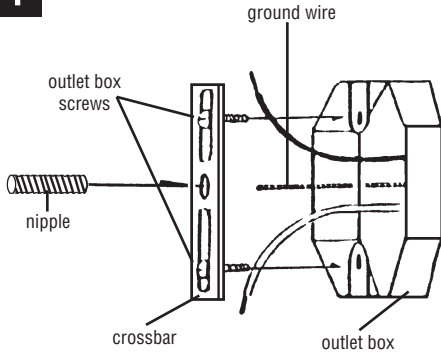
Next - go to the main fuse box. If your fuse box has an ON/OFF switch, simply place main power switch in OFF position.

OR



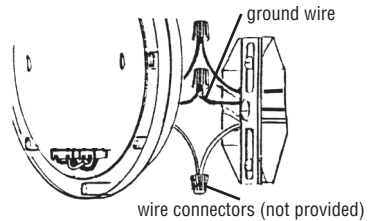
Screw-in type fuses - unscrew the fuse or fuses that control the power to the fixture or room you are working in.

1



ATTACH crossbar to outlet box with outlet box screws (8-32 x 1/2, 2 slotted screws NOT provided). THREAD nipple into cross bar.

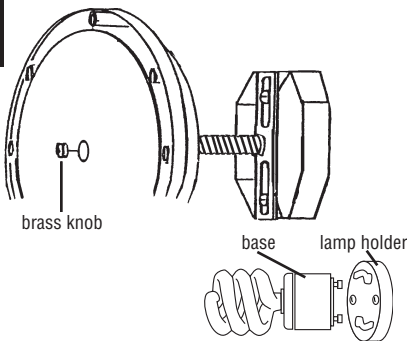
2



CONNECT the black fixture wire(s) to black supply wire, the white fixture wire(s) to white supply wire and the fixture ground to supply ground using wire connectors (not provided).

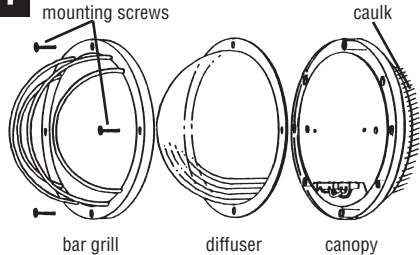
- Take the black fixture wire(s) and place evenly against black wire from the outlet box. Do not twist wires together before using a wire connector.
- Fit a wire connector over the wires and thread the connector clockwise until you feel a firm resistance.
- Gently try to remove the wires from the connector, if you can remove the wires carefully.
- Repeat process for the connection of white fixture wire(s) to white wire from outlet box and fixture ground wire and ground wire from outlet box.

3



POSITION THE FIXTURE over the nipple and secure in place with brass knob. Fixture may be mounted to ceiling or wall. The photo sensor must be orientated down when the fixture is mounted to a wall. Align and insert the round ended pins on the bottom of the self ballasted lamp into the circular opening in the lamp holder key hole slots. Grasp base and rotate clockwise. Be sure to use SBCFL with wattage no greater than specified for this fixture.

4

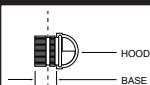


PLACE DIFFUSER ON CANOPY. Then place bar grill or frame over diffuser and attach to canopy with mounting screws. (8-32x1/2, 4 combination head screws provided)

NOTE: Outdoor fixtures (wall & ceiling) MUST be caulked with an acrylic caulk where the base of fixture meets the mounting surface. This provides a water tight seal when fixture is mounted.

 CLEAN ONLY WITH MILD SOAP AND WATER. AVOID SPRAYING WITH CLEANSERS, INSECTICIDES, AND PESTICIDES THAT ARE PETROLEUM BASED HYDROCARBON PRODUCTS. THESE WILL DEGRADE LUMINAIRE.

IS791WFGU



This fixture may have an integral photo sensor that turns the fixture off during the day and on at night. The photo sensor is not adjustable. The fixture could possibly cycle on and off due to light reflected from nearby surfaces into the photo sensor. If cycling occurs, remove the photo sensor nut and install the swivel hood and base.

The hood and base are adjustable. The hood can be rotated and the base can be cut along the dotted line to reduce overall length. Check operation before cutting the base.



Clean only with mild soap and water. Avoid spraying with Cleansers, Insecticides, and Pesticides that a petroleum based hydrocarbon products. These will degrade Luminaire.



Mark means lamp contains Mercury. Follow disposal laws. See www.lamprecycle.org

COLD WEATHER STARTING INFORMATION: For temperatures below 0°F, leave the lamp on continuously - starting with warm lamps. **NOTE:** If lamp starting becomes a problem in any cold weather application, remove the lamp from the fixture - bring the lamp indoors so that it becomes warm - then reinstall the lamp into the fixture and leave the fixture on continuously. Do not place lamp in an oven, microwave or similar heat producing devices.

BALLAST AND LAMP REPLACEMENT INSTRUCTIONS

Product contains an integrated Lamp/Ballast combination. To remove, grasp plastic area on each side of bulb area and rotate counterclockwise. For (1) lamp fixtures, replace with MAX 27W SBCFL (GU-24) [(2) lamp fixtures, MAX 18W SBCFL (GU-24)] that are marked with the UL and C, US Logo. Use SBCFL marked - Not for use where directly exposed to water. Do not use SBCFL marked - Not for use in totally enclosed luminaire.