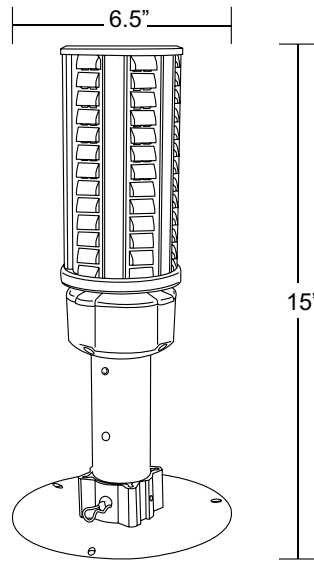


**COMMERCIAL RESIDENTIAL LED RETROFIT KIT LRC**

**LED RETROFITS**



Easily Convert existing fixtures to LED with UL 1598C Classified Kits. When installed according to instructions, retrofitted fixtures retain their UL Listing and do not require a field evaluation. Our commercial retrofit kit replaces up to 150W Metal Halide or High Pressure Sodium. Telescopic brackets adjust from 15" to 10" with allen wrench included. Mount on existing fixture fitter with universal mounting tray.



**SPECIFICATIONS**

- Telescoping Bracket
- Universal Mounting Plate
- Replaces up to 150W Metal Halide
- For Enclosed Fixtures
- Operating Temp -40°C to +40°C
- UL 1598C Classified

**LIGHT SOURCE OPTIONS**

**RETROFIT LED**

- 120-277V, 50/60Hz
- Estimated 100,000 Hrs L<sub>70</sub>
- Surge Protection
- 3000K\*, 4000K, or 5000K\*, CCT 80 CRI
- 20" 18AWG Leads
- 0-10V Dimming Available
- 5 Year Limited Warranty

**GUIDE CODE: LRC-L40C**

**CALL FOR PHOTOMETRIC INFORMATION**

ITEM #	LIGHT SOURCE	CCT
LRC	<b>RETROFIT LED 120-277V</b>	<b>C-4K</b> <b>W-3K</b>
	<b>L40-40W 4000lm</b>	
	<b>L60-54W 5700lm</b>	