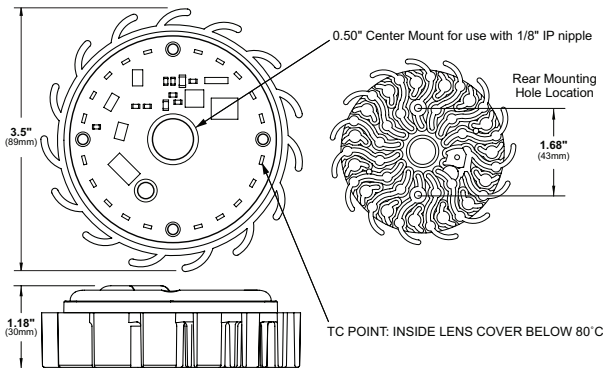


RESIDENTIAL LED RETROFIT KIT HIGH HEAT LRH3

LED RETROFITS



MINIMUM DIMENSION REQUIREMENTS

- Diffuser: 6.10" dia x 3.7" depth
- Lamp Compartment Volume: 111.6 in³



SPECIFICATIONS

- AC Driver-On-Board
- Constant Current Design
- Optical Grade Polycarbonate Lens
- Easy Install Mounting Options
- Mounting Hardware Included with Ground Wire
- 1" Thick Puck Style Heat Sink
- UL 1598C Classified

GUIDE CODE: LRH3-LR12C

CALL FOR PHOTOMETRIC INFORMATION

ITEM #	LIGHT SOURCE	CCT
LRH3	120V LIGHTWAVE LED	C-4K W-3K
	LR12-13W 1000lm 80CRI ★	
	LT12-12W 1040lm 90CRI	

Easily Convert existing fixtures to LED with UL 1598C Classified Kits. When installed according to instructions, retrofitted fixtures retain their UL Listing and do not require a field evaluation. Our Retrofit kits are designed with an optical grade polycarbonate lens and a powdercoated one inch thick aluminum heat sink.

Our LRH3 Retrofit kits are approved for use in both thermal challenged existing (in-the-field) fixtures and new fixtures for factory installation. Mount options using center mount with nipple or self tapping screws with bosses on back.



CLICK/SCAN FOR VIDEO

RETROFIT MOUNTING HARDWARE

Universal hardware bag includes extra parts to cover multiple applications.
1ea. 3" long 1/8" IP nipple, 2ea Hex Nuts, 2ea Lock Washers,
2ea. 8-32 x 3/8" Self Tapping Screws, 4ea. 6-32 x 1/2" Screws, & 8ea. Nuts w/Lock



LIGHT SOURCE OPTIONS

INTEGRATED LED SYSTEM - LR/LT

- 120V, 50/60Hz
- Estimated 50,000 Hrs L₇₀
- Low Flicker (LT Only)
- On Board & MOV Ground Surge Protection
- 3000K CCT 90CRI or 4000K CCT 80 CRI
- 18" 18AWG Leads
- Dimmable to 5% (see compatible dimmer list)
- 5 Year Warranty
- FCC Compliance Class B
- Energy Star (CSD)

★Energy Star CSD product.