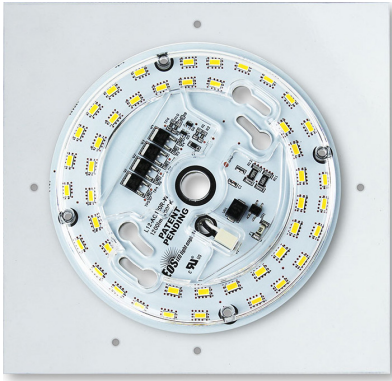


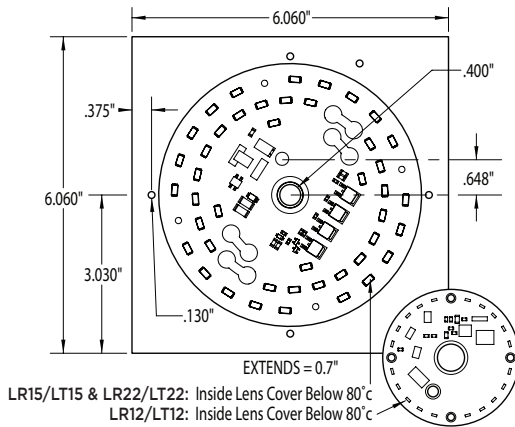
RESIDENTIAL LED RETROFIT KIT GENERAL PURPOSE LRG6

LED RETROFITS



Easily Convert existing fixtures to LED with UL 1598C Classified Kits. When installed according to instructions, retrofitted fixtures retain their UL Listing and do not require a field evaluation. Our Retrofit kits are designed with an optical grade polycarbonate lens and a powdercoated aluminum heat sink.

Our LRG6 Retrofit kits are approved for use in both existing (in-the-field) fixtures and new fixtures for factory installation.



CLICK/SCAN FOR VIDEO

RETROFIT MOUNTING HARDWARE

Universal hardware bag includes extra parts to cover multiple applications.
 1ea. 3" long 1/8" IP nipple, 2ea Hex Nuts, 2ea Lock Washers,
 2ea. 8-32 x 3/8" Self Tapping Screws, 4ea. 6-32 x 1/2" Screws, & 8ea. Nuts w/Lock



SPECIFICATIONS

- AC Driver-On-Board
- Constant Current Design
- Optical Grade Polycarbonate Lens
- Easy Install Mounting Options
- Mounting Hardware Included
- Flat Aluminum Heat Sink
- UL 1598C Classified

LIGHT SOURCE OPTIONS

120V LIGHTWAVE LED - LR/LT

- 120V, 50/60Hz
- Estimated 50,000 Hrs L₇₀
- Low Flicker (LT Only)
- On Board & MOV Ground Surge Protection
- 3000K CCT 90CRI or 4000K CCT 80 CRI
- 18" 18AWG Leads
- Dimmable to 5% (see compatible dimmer list)
- 5 Year Warranty
- Energy Star (CSD)

GUIDE CODE: LRG6-LR12C

CALL FOR PHOTOMETRIC INFORMATION

ITEM #	LIGHT SOURCE	CCT
LRG6	120V LIGHTWAVE LED	C-4K W-3K
	LR12-13W 1000lm 80CRI ★	
	LR15-15W 1400lm 80CRI ★	
	LR22-23W 1900lm 80CRI ★	
	LT12-12W 1040lm 90CRI	
	LT15-16W 1400lm 90CRI	
	LT22-24W 2020lm 90CRI	

★Energy Star CSD product.