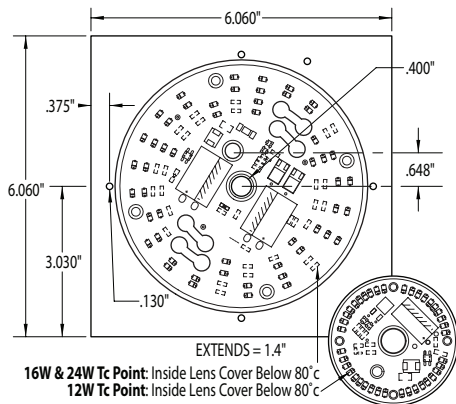


LOW FLICKER RESIDENTIAL LED RETROFIT KIT GENERAL PURPOSE LRG6 LED RETROFITS



Easily Convert existing fixtures to LED with UL 1598C Classified Kits. When installed according to instructions, retrofitted fixtures retain their UL Listing and do not require a feild evaluation. Our Retrofit kits are designed with an optical grade polycarbonate lens and a powdercoated aluminum heat sink.

Our LRG6 Retrofit kits are approved for use in both existing (in-the-field) fixtures and new fixtures for factory installation.



CLICK/SCAN FOR VIDEO

RETROFIT MOUNTING HARDWARE

Universal hardware bag includes extra parts to cover multiple applications.
1ea. 3" long 1/8" IP nipple, 2ea Hex Nuts, 2ea Lock Washers,
2ea. 8-32 x 3/8" Self Tapping Screws, 4ea. 6-32 x 1/2" Screws, & 8ea. Nuts w/Lock



SPECIFICATIONS

- AC Driver-On-Board
- Constant Current Design
- Optical Grade Polycarbonate Lens
- Easy Install Mounting Options
- Mounting Hardware Included
- Flat Aluminum Heat Sink
- UL 1598C Classified

LIGHT SOURCE OPTIONS

INTEGRATED LED SYSTEM - LT

- 120V, 50/60Hz
- Estimated 50,000 Hrs L₇₀
- Low Flicker
- On Board & Supplemental Surge Protection
- 3000K or 4000K CCT 90 CRI
- High Power Factor >0.90
- 18" 18AWG Leads
- Dimmable (see compatible dimmer list)
- 5 Year Warranty
- JA8 & Energy Star (CSD)

GUIDE CODE: LRG6-LT12C

CALL FOR PHOTOMETRIC INFORMATION

ITEM #	LIGHT SOURCE	CCT
LRG6	120V LIGHTWAVE LED	C-4K W-3K
	LT12-12W 1040lm 90CRI	
	LT15-16W 1400lm 90CRI LT22-24W 2020lm 90CRI	