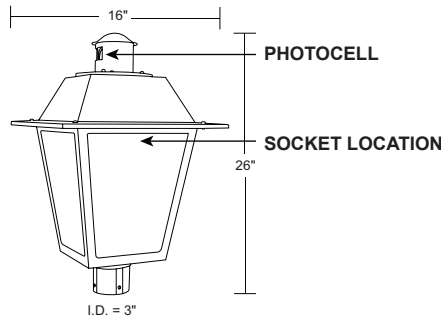


POST TOP FIXTURE C39T **COMMERCIAL LIGHTING**



Wave Lighting's commercial product line provides safety and security for all types of applications including parks, pedestrian walkways, and parking areas. Our Post top fixtures fit on any standard 3" diameter commercial pole (sold separately) with 3 set screws and allen wrench (provided). Mogul Base down facing socket. Photocell included.



EPA 1.18ft²
WT 15lbs

IES FILES AVAILABLE ONLINE
AT WAVELIGHTING.COM

SPECIFICATIONS

- 120-277V, 50/60Hz Photocell Included
- Cast Aluminum Housing
- Stainless Steel Set Screws
- Black Finish
- Acrylic Lenses
- Frosted Only
- ETL Listed For Wet Locations

BK BLACK



LIGHT SOURCE

E39 RETRO-FIT LED - LC

- 120-277V, 50/60Hz
- 150W Metal Halide Equivalent Lamp
- E39 Mogul Base Socket and Lamp
- Estimated 50,000 Hrs L₇₀
- Surge Supression
- Available in 4000K CCT 80CRI
- Type 5 or Type 3 Distribution
- 5 Year Warranty

GUIDE CODE: C39TF-BK

CALL FOR PHOTOMETRIC INFORMATION

ITEM #	LENS	LIGHT SOURCE	CCT	COLOR
C39T	ACRYLIC F-Frosted	E39 MOGUL BASE		BK-Black
		(1) 200W MAX Mogul Base (lamp not included)		
		E39 RETRO-FIT LED 120-277V		
		LC5-54W 7290lm, Type 5 + LC3-40W 5600lm, Type 3 +	C-4K (standard)	

+ Lamp included