

LOW FLICKER - 90 CRI

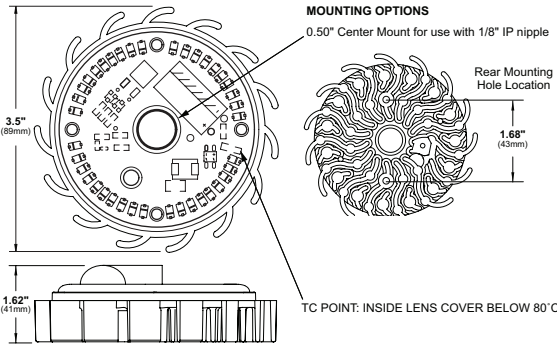
RESIDENTIAL LED RETROFIT KIT LRH3

HIGH HEAT



Easily Convert existing fixtures to LED with UL 1598C Classified Kits. When installed according to instructions, retrofitted fixtures retain their UL Listing and do not require a feild evaluation. Can be used to comply with 2016 Title 24 Part 6 High Efficay LED source requirements. Our Retrofit kits are designed with an optical grade polycarbonate lens and a powdercoated one inch thick aluminum heat sink.

Our LRH3 Retrofit kits are approved for use in both thermal challenged existing (in-the-field) fixtures and new fixtures for factory installation. Mount options using center mount with nipple or self tapping screws with bosses on back.



CLICK/SCAN FOR VIDEO

- MINIMUM DIMENSION REQUIREMENTS**
- Diffuser: 6.10" dia x 3.7" depth
 - Lamp Compartment Volume: 111.6 in³

RETROFIT MOUNTING HARDWARE

Universal hardware bag includes extra parts to cover multiple applications.
 1ea. 3" long 1/8" IP nipple, 2ea Hex Nuts, 2ea Lock Washers,
 2ea. 8-32 x 3/8" Self Tapping Screws, 4ea. 6-32 x 1/2" Screws, & 8ea. Nuts w/Lock



SPECIFICATIONS

- AC Driver-On-Board
- Constant Current Design
- Optical Grade Polycarbonate Lens
- Easy Install Mounting Options
- Mounting Hardware Included with Ground Wire
- 1" Thick Puck Style Heat Sink
- UL 1598C Classified

LIGHT SOURCE OPTION

DEDICATED LED SYSTEM - LT

- 120V, 50/60Hz
- Estimated 50,000 Hrs L₇₀
- Low Flicker
- On Board & Supplemental Surge Protection
- 3000K or 4000K CCT 90 CRI
- High Power Factor >0.90
- 18" 18AWG Leads
- Dimmable (see compatible dimmer list)
- 5 Year Warranty
- FCC Compliance Class B
- JA8 & Energy Star (CSD)

GUIDE: LRH3-LT12W

CALL FOR PHOTOMETRIC INFORMATION

ITEM #	LIGHT SOURCE	CCT
LRH3	120V LIGHTWAVE LED LT12-12W 1040lm	C-4K W-3K