



PROJECT \_\_\_\_\_

TYPE \_\_\_\_\_

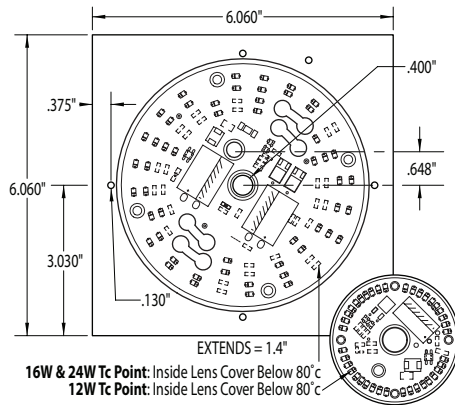
VOLTAGE \_\_\_\_\_

# LOW FLICKER - 90 CRI RESIDENTIAL LED RETROFIT KIT LRG6 GENERAL PURPOSE



Easily Convert existing fixtures to LED with UL 1598C Classified Kits. When installed according to instructions, retrofitted fixtures retain their UL Listing and do not require a field evaluation. Can be used to comply with 2016 Title 24 Part 6 High Efficacy LED source requirements. Our Retrofit kits are designed with an optical grade polycarbonate lens and a powdercoated aluminum heat sink.

Our LRG6 Retrofit kits are approved for use in both existing (in-the-field) fixtures and new fixtures for factory installation.



CLICK/SCAN FOR VIDEO

#### RETROFIT MOUNTING HARDWARE

Universal hardware bag includes extra parts to cover multiple applications.  
1ea. 3" long 1/8" IP nipple, 2ea Hex Nuts, 2ea Lock Washers,  
2ea. 8-32 x 3/8" Self Tapping Screws, 4ea. 6-32 x 1/2" Screws, & 8ea. Nuts w/Lock



## SPECIFICATIONS

- AC Driver-On-Board
- Constant Current Design
- Optical Grade Polycarbonate Lens
- Easy Install Mounting Options
- Mounting Hardware Included
- Flat Aluminum Heat Sink
- UL 1598C Classified

## LIGHT SOURCE OPTION

### DEDICATED LED SYSTEM - LT

- 120V, 50/60Hz
- Estimated 50,000 Hrs L<sub>70</sub>
- Low Flicker
- On Board & Supplemental Surge Protection
- 3000K or 4000K CCT 90 CRI
- High Power Factor >0.90
- 18" 18AWG Leads
- Dimmable (see compatible dimmer list)
- 5 Year Warranty
- JA8 & Energy Star (CSD)

### GUIDE: LRG6-LT15W

### CALL FOR PHOTOMETRIC INFORMATION

ITEM #	LIGHT SOURCE	CCT
LRG6	120V LIGHTWAVE LED	C-4K W-3K
	LT12-12W 1040lm	
	LT15-16W 1400lm	
	LT22-24W 2020lm	

REFER TO CATALOG FOR OPTION SPECIFICATIONS - Specifications subject to change without notice - FIXTURE SPEC 1/19